



# **ADW310 Wireless Energy Meter**

## **Installation and Use Manual V1.0**

**Acrel Co., Ltd.**

# **Declaration**

The copyright is the property of Acrel. Any information in any paragraph or section cannot be extracted, copied or otherwise reproduced or propagated. Otherwise offenders shall take all consequences.

All rights are reserved.

Acrel reserves the right to modify the product specifications herein without notification. Please consult the local agent about the latest specifications before placing a purchase order.

## Manual revision record

Date	Old Version	New Version	Modify the content
2022/8/8		V1.0	1. Writing for the first time

# Catalog

1 Overview .....	1
2 Product Model Specification And Features .....	1
2.1 ADW310 Wireless Energy Meter Naming Rules .....	1
2.2 ADW310 Wireless Energy Meter Features .....	1
3 Technical Parameters .....	2
3.1 Electrical Characteristics .....	2
3.2 Environmental Conditions .....	3
4 Dimension and Installing Description( Unit: mm) .....	3
4.1 Dimension( Unit: mm) .....	3
4.2 RS485 Communication Terminal, Pulse Output Terminal .....	4
4.3 Switch Input/Output Terminal .....	4
4.4 Temperature Measuring Terminal .....	5
4.5 Wiring Instructions .....	6
5 Main Features .....	6
5.1 Measurement Function .....	6
5.2 Metering Function .....	6
5.3 Time Sharing Function .....	7
5.4 Demand Function .....	7
5.5 Historical Energy Statistics Function .....	8
5.6 Switch Input And Output Function .....	8
5.7 Wireless Communication Function .....	8
6 Communication Instructions .....	8

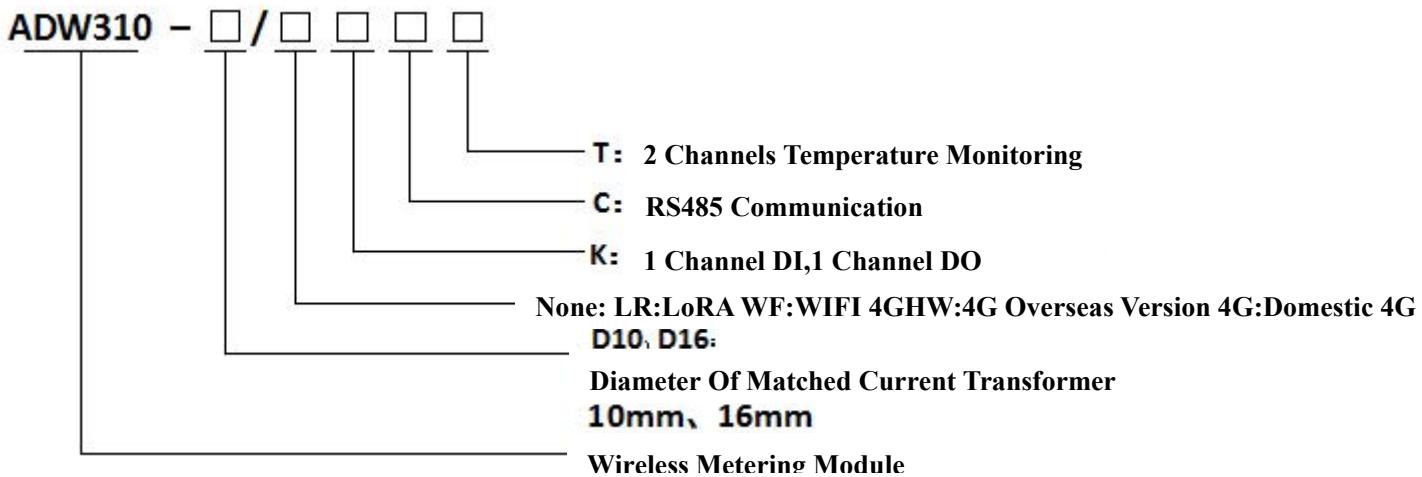
6.1 Communication Protocol .....	8
6.2 MODBUS Communication .....	9
6.3 Alarm Function Related Settings .....	15
6.3.1 Alarm 1 Related Parameter Register Address Table .....	15
6.3.2 Alarm 2/3 Related Parameter Register Address Table .....	17
7 Common Troubleshooting .....	19
7.1 Instrument RS485 Network Communication Failure .....	19
7.2 Instrument Wireless Communication Failure .....	20

# 1 Overview

ADW310 wireless energy meter is mainly used to measure the active energy of low-voltage network. It has the advantages of small size, high precision, rich functions, etc., and has many optional communication methods. It can support RS485 communication, Lora, 4G and other wireless communication methods. The current sampling mode of the transformer is convenient for users to install and use in different occasions. It can be flexibly installed in the distribution box to meet the needs of power metering, operation and maintenance supervision or power monitoring for different areas and different loads.

## 2 Product Model Specification And Features

### 2.1 ADW310 Naming Rules



### 2.2 ADW310 Features

Table 1 ADW310 Main Function

Function	Description
Display	LCD (field type)
Energy Metering	Active energy metering (forward, reverse)

Electricity Measurement	Voltage,current,power factor, frequency,active power,reactive power, apparent power
Pulse Output	Active pulse output
Temperature Measurement Function	Two-way temperature measurement (optional T)
DI/DO	1DI, 1DO (optional K)
LED Indication	Pulse light indication
External Transformer	External split core current transformer
Electric Parameter Alarm	Leakage of voltage, overvoltage, Leakage of current, overcurrent, leakage of load, overload, etc.
Communication	RS485 interface (optional C)
	470MHz wireless transmission (optional LR)
	4G wireless transmission (optional 4G)
	WIFI wireless communication (optional WF)

### 3 Technical Parameters

#### 3.1 Electrical Characteristics

Table 2 ADW310 Electrical Characteristics

Voltage Input	Rated Voltage	220V
	Reference Frequency	50Hz
	Power Consumption	Each phase<0.5VA
Current Input	Input Current	AC 20(100)A
	Starting Current	1%Ib(0.5S class), 4%Ib(1 class)
	Power Consumption	Each phase<1VA
Auxiliary Power	Voltage Supply	AC 85~265V
	Power Consumption	<2W
Measuring Performance	Standards	GB/T17215.322-2008, GB/T17215.321-2008
	Compliant Active Energy Accuracy	Class 1
	Temperature Accuracy	±2°C
Pulse	Pulse Width	80±20ms
	Pulse Constant	1600imp/kWh
Communication	Wirelese	470MHz wireless transmission, transmission distance in open space: 1km; 4G

	Interface	RS485(A、B)
	Medium	Shielded Twisted Pair
	Protocol	MODBUS-RTU、DL/T 645-07

### 3.2 Environmental Conditions

Table 3 ADW310 Environment Conditions

Temperature Range	Operating Temperature	-25°C~55°C
	Storage Temperature	-40°C~70°C
Humidity		≤95%(no condensation)
Altitude		<2000m

### 4 Dimension and Installing Description( Unit: mm)

#### 4.1 Dimension( Unit: mm)

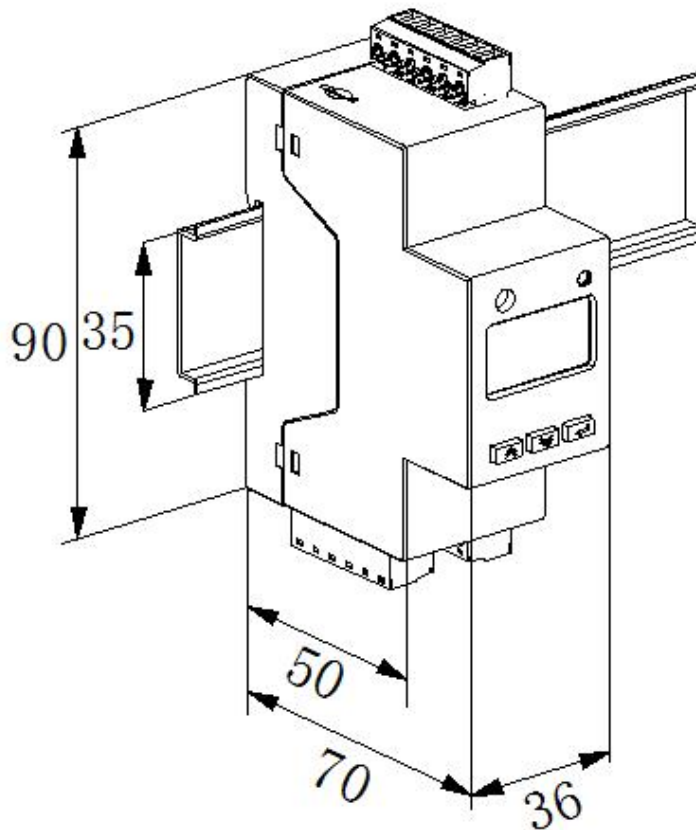


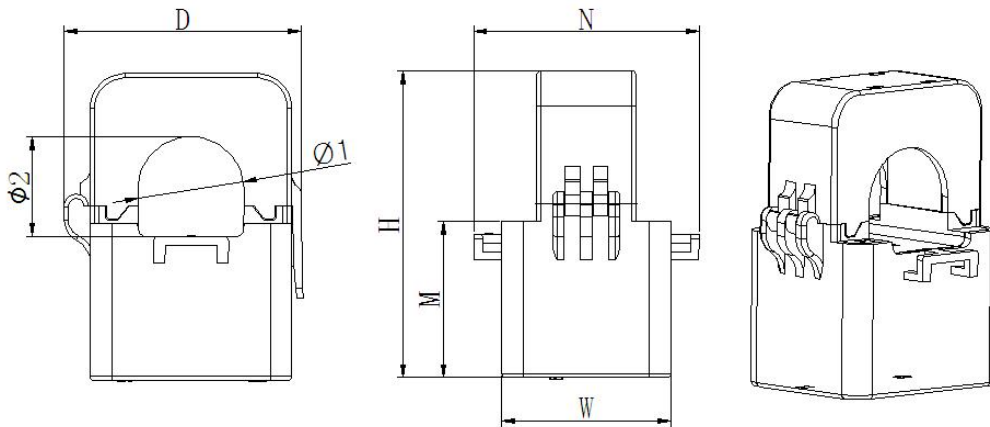
Figure 1 ADW310 Size Figure



## Supporting CT Dimensions

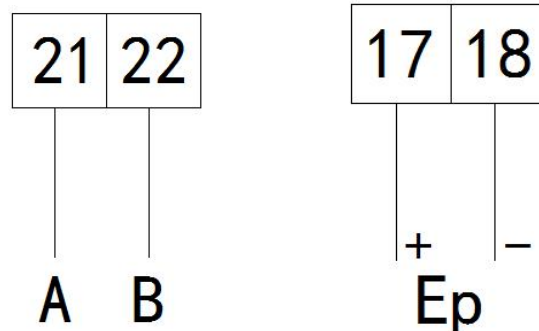
Table 5 Specifications and Dimensions of Supporting Transformers

Specification	Dimensions (mm)					Perforation size (mm)		Tolerance (mm)
	W	H	D	M	N	Φ1	Φ2	
AKH-0.66/K-∅ 10N	27	44	32	25	36	10	9	±1
AKH-0.66/K-∅ 16N	31	50	36	27	42	16	17	



Dimension Figure of Matched Current Transformer

### 4.2 Communication Terminal, Pulse Output Terminal



Communication Interface

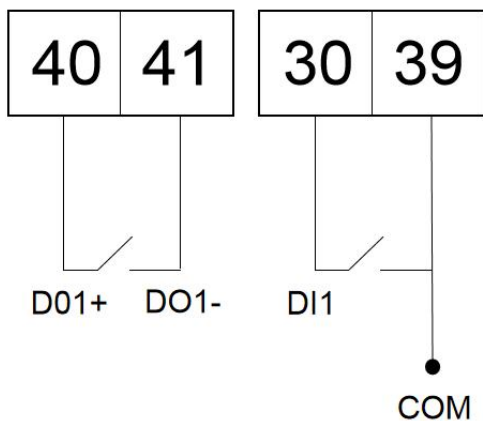
Pulse Port

### 4.3 Switch Input/output Terminal

The switch input is the switch signal input method, the instrument is equipped with +12V working power supply, no external power supply is required. When the external connection is turned on or off, the on or off information is collected through the instrument

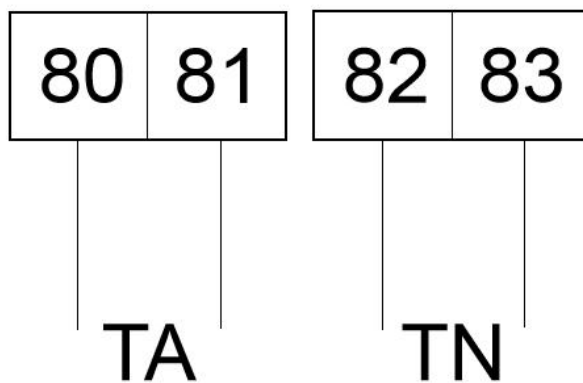
switch input module and displayed locally by the instrument. The switch input can not only collect and display the local switch information, but also realize the remote transmission function through the RS485 of the instrument, that is, the "remote signal" function.

Switch output is relay output, which can realize "remote control" and alarm output.



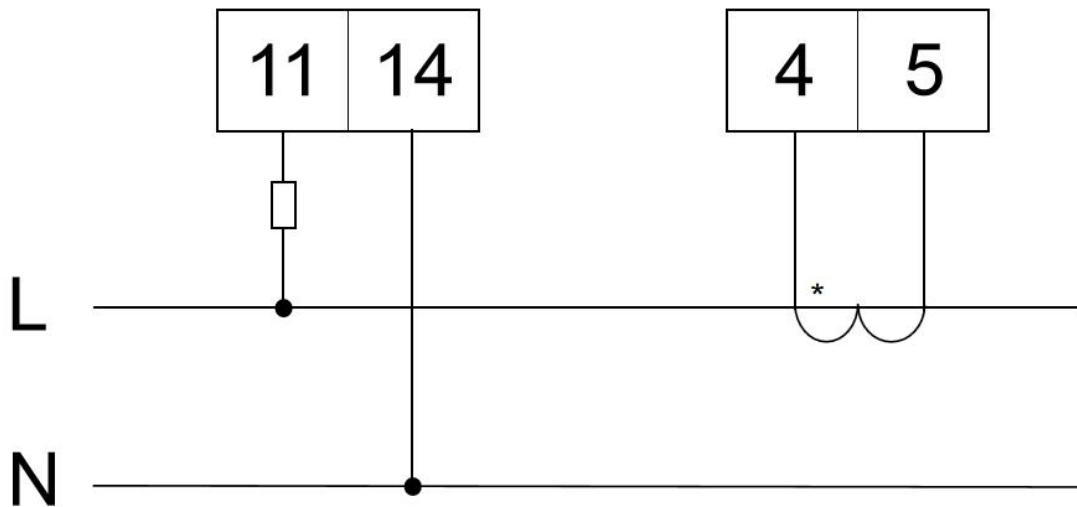
Switch input and output

#### 4.4 Temperature Measuring Terminal



Temperature Input

## 4.5 Wiring Instructions



## 5 Main Features

### 5.1 Measurement Function

It can measure all power parameters including voltage U, current I, active power P, reactive power Q, apparent power S, power factor PF, phase angle  $\Phi$  between voltage and current, frequency F. Among them, the voltage U has 1 decimal place, the frequency F has 2 decimal places, the current I has 3 decimal places, the power P has 4 decimal places, and the phase angle  $\Phi$  has 2 decimal places.

Such as:  $U = 220.1V$ ,  $f = 49.98HZ$ ,  $I = 1.999A$ ,  $P = 0.2199KW$ ,  $\Phi = 60.00^\circ$ .

Support 2-way temperature measurement, temperature measurement range:  $-40 \sim 99^\circ C$ , accuracy  $\pm 2^\circ C$

### 5.2 Metering Function

It can measure the current combined active energy, forward active energy, reverse active energy, inductive reactive energy, capacitive reactive energy, and

apparent energy.

### 5.3 Time Sharing Function

Two sets of timetables, one year can be divided into 4 time zones, each set of timetables can set 12 daily time periods, 4 rates (F1, F2, F3, F4 are peaks and valleys). The basic idea of time-of-use billing is to use electric energy as a commodity, using economic leverage, the electricity price is high during the peak period of electricity consumption, and the electricity price is low when the valley is low, so as to cut the peak and fill the valley, improve the quality of electricity consumption, and improve the overall economic benefits.

### 5.4 Demand Function

The concepts related to demand are as follows:

Demand	The average power measured during the demand period is called demand
Maximum Demand	The maximum demand in a specified time zone is called the maximum demand
Slip Time	From any moment, the method of recursively measuring demand according to the time less than the demand period, the measured demand is called slip demand. The recursive time is called slip time
Demand Cycle	The time interval at which the average power is continuously measured is equal, also called the window time

The default demand period is 15 minutes and the slip time is 1 minute.

It can measure 8 kinds of maximum demands, namely A/B/C three-phase current, forward active power, reverse active power, inductive reactive power, capacitive reactive power, apparent power maximum demand and the time when the maximum demand occurs.

Displays 8 real-time demands, namely A/B/C three-phase current, forward active power, reverse active power, inductive reactive power, capacitive reactive power, and apparent

power demand.

## **5.5 Historical Energy Statistics Function**

It can count the historical electric energy in December (including 4 quadrants and electric energy at various rates)

## **5.6 Switch Input And Output Function**

There are 1 switch output, 1 switch input, and the switch output is relay output, which can realize "remote control" and alarm output. The switch input can not only collect and display the local switch information, but also realize the remote transmission function through the RS485 of the instrument, that is, the "remote signal" function.

## **5.7 Wireless Communication Function**

ADW310 supports 470MHz LORA communication and 4G communication. The specific agreement on 4G communication can be obtained by contacting the relevant personnel of our company.

# **6 Communication Description**

## **6.1 Communication Protocol**

This instrument adopts MODBUS-RTU protocol or DL/T645 protocol. For the specific protocol format, please refer to the relevant protocol standards, which will not be repeated here.

## **6.2 MODBUS Communication**

When using Modbus protocol for communication, the function code of the read data

command is 03H, and the function code of the write data command is 10H.

The specific register address table is as follows:

Initial Address (hexadecimal)	Data Item Name	Length (Byte)	R/W	Remark
1000H	Communication Adress	2	R/W	1~247
1001H	Baud rate	2	R/W	1: 1200bps 2: 2400bps 3: 4800bps 4: 9600bps 5: 19200bps 6: 38400bps
1002H	1 Check Digit 1	2	R/W	low byte 0: no verification 1: odd parity 2: Even parity high byte 0:1 stop bit 1: 1.5 stop bit 2:2 stop bits
1003H-1005H	Reserved			
1006H	645 address	6	R/W	BCD code high order first
1009H	Serial Number	14	R/W	14 ASCII codes
1010H	Wire	2	R/W	0:3P4L 1:3P3L
1011H	Voltage secondary rating	2	R/W	one decimal place V
1012H	Current secondary rating	2	R/W	two decimal places A
1013H-101CH	Reserved			
101DH	Password	2	R/W	1-9999
101EH	Pulse constant	2	R/W	Default 1600
101FH	Voltage shield	2	R/W	0~655.35%
1020H	Current shield	2	R/W	0~655.35%
1021H-1025H	Reserved			
1026H	Demand Cycle	2	R/W	Unit min (1-30)
1027H-102DH	Reserved			
102EH	Backlight time	2	R/W	0: always on 1: 1min 2:2min
102FH	Time	10	R/W	Year, Month Day,

				week, hour, minutes, seconds, millisecond
1034H-1035H	Reserved			
1036H	DO status	2	R/W	Bit0:DO1 Bit1: DO2... 0: open 1: closed
1037H	DI status	2	R	Bit0:DI1 Bit1: DI2... 0: open 1: closed
1038H	First time zone timetable number First time zone start month, first time zone day Second time zone timetable number Second time zone start month, second time zone day Third time zone timetable number 3rd time zone start month, 3rd time zone day Fourth time zone timetable number 4th time zone start month, 4th time zone day Fifth time zone timetable number Fifth time zone start month, fifth time zone day Sixth time zone timetable number 6th time zone start month, 6th time zone day Seventh time zone timetable number 7th time zone start month, 7th time zone day Eighth time zone timetable number Eighth time zone start month, eighth time zone day	12	R/W	Timetable No.: period 1, period 2, period 3, period 4, Start month: 1-12 Start day: 1-31
1044H	The first set of timetables, Each period occupies three bytes, Rate, start hour, start minute		R/W	Rate:0 1 Sharp, 2 Peak 3 Flat, 4 Valley Start Hour: 0-23 Start Minute: 1-59
1059H	The second set of timetables, Each period occupies three bytes,		R/W	Same as the first set of timetables

	Rate, start hour, start minute			
106EH	The third set of timetables, Each period occupies three bytes, Rate, start hour, start minute		R/W	Same as the first set of timetables
1083H	The forth set of timetables, Each period occupies three bytes, Rate, start hour, start minute		R/W	Same as the first set of timetables
1098H	Voltage Ratio	4	R/W	Int
109AH	Current Ratio	4	R/W	Int
109CH-109FH	Reserved			

2000H	Voltage	4	R	1 decimal place unit:V If the value is U=2200, PT=1; $U=U*PT=2200*0.1*1=220.0V$
2001H-200BH	Reserved			
200CH	Current	4	R	2 decimal place If the value is I=200, CT=10; $I=I*CT=200*0.01*10=20A$
200DH-2013H	Reserved			
2014H	Active power	4	R	Int With symbol Unit:kW 3 decimal place If the value is 11720, PT=10,CT=10; then value = value*PT*CT= $11720*0.001*10*10=1172.0kW$
2016H-201BH	Reserved			
201CH	reactive power	4	R	Int With symbol Unit:kVar 3 decimal place Analyze the same active power
201EH-2023H	Reserved			
2024H	Inspecting power	4	R	Int Unit:kVar 3 decimal place Analyze the same active power
2026H-202BH	Reserved			
202CH	Power factor	4	R	Int 3 decimal place If the value is 999 then the value= $999*0.001=0.999$
202EH-2033H	Reserved			
2034H	Frequency	4	R	Int



				2 decimal place If the value is 5000, Then the value=5000*0.01=50.00H
2036H-	Reserved			
2058H	temperature 1	4	R	Int With symbol Unit:0.1°C
205AH	temperature 2	4	R	°C Int With symbol Unit:0.1°C

3000H	Secondary value of total active energy	4	R/W	Two decimal places, Kwh
3002H	Secondary value of forward active energy	4	R/W	Two decimal places, Kwh
3004H	Secondary value of reverse active energy	4	R/W	Two decimal places, Kwh
3006H	Secondary value of total reactive energy	4	R/W	Two decimal places, Kvarh
3008H	Secondary value of forward reactive energy	4	R/W	Two decimal places, Kvarh
300AH	Secondary value of reverse reactive energy	4	R/W	Two decimal places, Kvarh
300CH	Reserved			
300EH	Total active energy sharp secondary value	4	R/W	Int,Unit:kWh 2 decimal place If the value is 120201, PT=10, CT=10; Then value=value*PT*CT= 120201*0.01*10*10=12020
3010H	Total active energy peak secondary value	4	R/W	Int,Unit:kWh 2 decimal place If the value is 120201, PT=10, CT=10; Then value=value*PT*CT= 120201*0.01*10*10=12020
3012H	Total active energy level flat value	4	R/W	Int,Unit:kWh 2 decimal place If the value is 120201, PT=10, CT=10; Then value=value*PT*CT= 120201*0.01*10*10=12020
3014H	Secondary value of total active energy valley	4	R/W	Int,Unit:kWh 2 decimal place If the value is 120201, PT=10, CT=10;

				Then value=value*PT*CT= 120201*0.01*10*10=12020
3016H	Forward active energy sharp secondary value	4	R/W	Int,Unit:kWh 2 decimal place If the value is 120201, PT=10, CT=10; Then value=value*PT*CT= 120201*0.01*10*10=12020
3018H	Forward active energy peak secondary value	4	R/W	Int,Unit:kWh 2 decimal place If the value is 120201, PT=10, CT=10; Then value=value*PT*CT= 120201*0.01*10*10=12020
301AH	Forward active energy level flat value	4	R/W	Int,Unit:kWh 2 decimal place If the value is 120201, PT=10, CT=10; Then value=value*PT*CT= 120201*0.01*10*10=12020
301CH	Forward active energy valley secondary value	4	R/W	Int,Unit:kWh 2 decimal place If the value is 120201, PT=10, CT=10; Then value=value*PT*CT= 120201*0.01*10*10=12020
301EH	Reverse active energy sharp secondary value	4	R/W	Int,Unit:kWh 2 decimal place If the value is 120201, PT=10, CT=10; Then value=value*PT*CT= 120201*0.01*10*10=12020
3020H	Reverse active energy peak secondary value	4	R/W	Int,Unit:kWh 2 decimal place If the value is 120201, PT=10, CT=10; Then value=value*PT*CT= 120201*0.01*10*10=12020
3022H	Reverse active energy valley secondary value	4	R/W	Int,Unit:kWh 2 decimal place If the value is 120201, PT=10, CT=10; Then value=value*PT*CT= 120201*0.01*10*10=12020
3024H	Forward reactive energy sharp secondary value	4	R/W	Int,Unit:kWh 2 decimal place

				If the value is 120201, PT=10, CT=10; Then value=value*PT*CT= 120201*0.01*10*10=12020
3026H	Forward reactive energy peak secondary value	4	R/W	Int,Unit:kWh 2 decimal place If the value is 120201, PT=10, CT=10; Then value=value*PT*CT= 120201*0.01*10*10=12020
3028H	Forward reactive energy flat secondary value	4	R/W	Int,Unit:kWh 2 decimal place If the value is 120201, PT=10, CT=10; Then value=value*PT*CT= 120201*0.01*10*10=12020
302AH	Forward reactive energy valley secondary value	4	R/W	Int,Unit:kWh 2 decimal place If the value is 120201, PT=10, CT=10; Then value=value*PT*CT= 120201*0.01*10*10=12020
302CH	Reverse reactive energy sharp secondary value Reverse reactive energy peak secondary value	4	R/W	Int,Unit:kWh 2 decimal place If the value is 120201, PT=10, CT=10; Then value=value*PT*CT= 120201*0.01*10*10=12020
302EH	Reverse reactive energy flat secondary value	4	R/W	Int,Unit:kWh 2 decimal place If the value is 120201, PT=10, CT=10; Then value=value*PT*CT= 120201*0.01*10*10=12020
3030H	Reverse reactive energy valley secondary value	4	R/W	Int,Unit:kWh 2 decimal place If the value is 120201, PT=10, CT=10; Then value=value*PT*CT= 120201*0.01*10*10=12020
3032H-	Reserved			
4006H	Total active power real-time demand	4	R	Int,Unit:kW 3 decimal place
400CH	Total forward active power real-time demand	4	R	Int,Unit:kW 3 decimal place

400EH	Total reverse active power real-time demand	4	R	Int,Unit:kW 3 decimal place
4010H	Total forward reactive power real-time demand	4	R	Int,Unit:kW 3 decimal place
4012H	Total reverse reactive power real-time demand	4	R	Int,Unit:kW 3 decimal place
4014H-	Reserved			

01D0H-01EB H	Alarm 1 related data, see chapter 6.3.1 for details
0216H-0249 H	Alarm 2, alarm 3 related data, see chapter 6.3.2 for details
0268H-0169 H	Alarm 2, Alarm 3 alarm status, see chapter 6.3.2 for details

## 6.3 Alarm Function Related Settings

### 6.3.1 Alarm 1 Related Parameter Register Address Table

Start Address (Hexadecimal)	Initial Address (decimal)	Data Item Name	Length (Bytes)	R/W	Remark
01EBH	491	Alarm 1 state	2	R	bit0: Over voltage alarm bit1: under voltage alarm Bit2: Overcurrent alarm Bit3: undercurrent alarm Bit4: Over power alarm Bit5: Under power alarm Bit6: Whether DO1 alarm output bit7: Whether DO2 alarm output Bit8: Bit9: Bit10: Bit11: Bit12: Bit13: Bit14: Bit15: Power failure report

01DOH	464	Alarm 1 enable bit	2	R/W	Bit0: Overvoltage alarm enable bit Bit1: Undervoltage alarm enable bit Bit2: Overcurrent alarm enable bit Bit3: Undercurrent alarm enable bit Bit4: Over power alarm enable bit Bit5: Under-power alarm enable bit Bit6: Whether DO1 alarm output Bit7: Whether DO2 alarm output Bit8: Bit9: Bit10: Bit11: Bit12: Bit13: Bit14: Bit15: Power-off report enable bit
01D1H	465	Over voltage alarm threshold	2	R/W	Int,Unit:0.1V
01D2H	466	Over voltage alarm delay	2	R/W	Int,Unit:0.1S
01D3H	467	Undervoltage alarm threshold	2	R/W	Int,Unit:0.1V
01D4H	468	Undervoltage alarm delay	2	R/W	Int,Unit:0..01S
01D5H	469	Overcurrent Alarm Threshold	2	R/W	Int,Unit:0..01A
01D6H	470	Overcurrent Alarm Delay	2	R/W	Int,Unit:0..01S
01D7H	471	Undercurrent alarm threshold	2	R/W	Int,Unit:0..01A
01D8H	472	Undercurrent alarm delay	2	R/W	Int,Unit:0..01S
01D9H	473	Over power alarm threshold	2	R/W	Int,Unit:0..001kw
01DAH	474	Over power alarm delay	2	R/W	Int,Unit:0..01S
01DBH	475	Under power	2	R/W	Int,Unit:0..001kw

		alarm threshold			
01DCH	476	Under power alarm delay	2	R/W	Int,Unit:0..01S
01DDH	477	DI1 initial state	2	R/W	0: Normally open 1: Normally closed
01DEH	478	DI1 programming	2	R/W	0: Do not associate with DO 1: Associate DO1 2: Associate DO2
01E5H	485	DO1 output mode	2	R/W	0: level 1: Pulse
01E6H	486	DO1 related content	2	R/W	0: Normal DO 1: total failure 2: Total fault +DI1+DI2 3: DI1 4:DI2 5:DI1+DI2
01E7H	487	DO1 output pulse width	2	R/W	0:none 1:1S 2:2S 3:3S 4:4S 5:5S

### 6.3.2 Alarm 2, Alarm 3 Related Parameter Register Address Table

Start Address (Hexadecimal)	Initial Address (Decimal)	Data Item Name	Length (bytes)	R/W	Remark
0216H	534	Alarm 2 enable bit	2	R/W	Bit0: Low power factor alarm enable bit Bit1: Bit2: Bit3: Bit4: The first channel temperature is too high alarm enable bit Bit5: Bit6: bit7: The second channel over temperature alarm enable bit Bit8: Bit9: Bit10:

					Bit11: Bit12: Bit13: Bit14: Bit15:
0268H	616	Alarm 2 Alarm status	2	R	Corresponding to alarm 2 enable bit
0217H	535	Alarm 3 enable bit	2	R/W	Bit0: Current positive active power demand is too high alarm enable bit Bit1: Current reverse active power demand high alarm enable bit Bit2: Current high reactive power demand alarm enable bit Bit3: Current reverse reactive power demand high alarm enable bit  Bit4: Current apparent demand high alarm enable bit  Bit5-Bit15:Reserve
0269H	617	Alarm 3 alarm status	2	R	Corresponding to alarm 3 enable bit
0218H	536	High power factor alarm threshold	2	R/W	Int,Unit:0..001
0219H	537	Power factor high alarm delay T	2	R/W	Int,Unit:0..01S
0220H	544	The first circuit temperature is too high alarm threshold	2	R/W	Int with symbol,Unit:0.1°C
0221H	545	The first circuit over temperature alarm delay	2	R/W	Int ,Unit:0.01S
0222H	550	The second circuit temperature is too high alarm threshold	2	R/W	Int with symbol,Unit:0.1°C
0223H	551	The second circuit over temperature alarm delay	2	R/W	Int ,Unit:0.01S
0237H	567	Current unbalance too high alarm delay	2	R/W	Int ,Unit:0.01S

0238H	568	The current forward active power demand is too high alarm threshold	4	R/W	Int,Unit: kW 3 decimal place
023AH	570	Current reverse active power demand is too high alarm delay	2	R/W	Int ,Unit:0.01S
023BH	571	The current forward active power demand is too high alarm threshold	4	R/W	Int,Unit: kW 3 decimal place
023DH	573	Current reverse active power demand is too high alarm delay	2	R/W	Int ,Unit:0.01S
023EH	574	The current forward reactive power demand is too high alarm threshold	4	R/W	Int,Unit:Kvar 3 decimal place
0240H	576	The current forward reactive power demand is too high alarm delay	2	R/W	Int ,Unit:0.01S
0241H	577	The current reverse reactive power demand is too high alarm threshold	4	R/W	Int,Unit:Kvar 3 decimal place
0243H	579	The current reverse reactive power demand is too high alarm delay	2	R/W	Int ,Unit:0.01S
0247H	583	Current apparent demand high alarm threshold	4	R/W	Int,Unit:KVA 3 decimal place
0249H	585	Current apparent demand high alarm delay	2	R/W	Int ,Unit:0.01S

## 7 Common Troubleshooting

### 7.1 Energy Meter RS485 Network Communication Failure

Troubleshooting suggestion: Please confirm whether the RS485 wiring is loose, the AB connection is reversed, etc., and then press the button to check whether the general selection parameters in the table, such as address, baud rate, check digit, etc., are set



correctly

## **7.2 Energy Meter Wireless Communication Failure**

Troubleshooting suggestion: Please use the USB to 485 serial cable to connect to the RS485 interface of the instrument first, read the parameters in the meter through communication, and confirm whether the parameters in the meter are the same as the wireless configuration of the upper master station (channel and spreading factor). If they are different, please modify The wireless parameters of the instrument are consistent with the main station and then re-test; if they are the same, it may be that the distance between instrument and the main station are too long or the on-site interference is serious. At this time, you can try to use an external suction cup antenna, or consider adding a wireless main station nearby. Test again.