

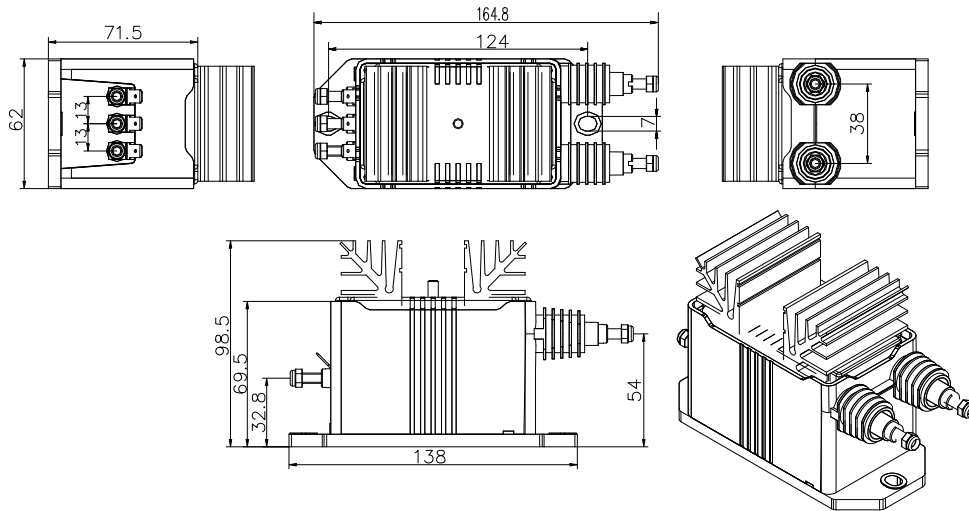
H032.1 AHVS-LV Series Hall voltage sensors V1.0

1.Product Overview

AHVS-LV Series Hall voltage sensors are insulated between the primary and secondary stages and can be used to measure DC, AC and pulse voltages. It has the characteristics of high accuracy, high linearity, high integration, small size and simple structure, stable long-term work and adapt to various working environments. Widely used in electric power, petroleum, coal mines, chemical industry, railway, communications, building automation and other industries of electrical equipment system control and testing.

- ★Used to measure voltage
- ★Fast response
- ★High overload capacity
- ★High precision
- ★The primary and secondary sides are highly insulated

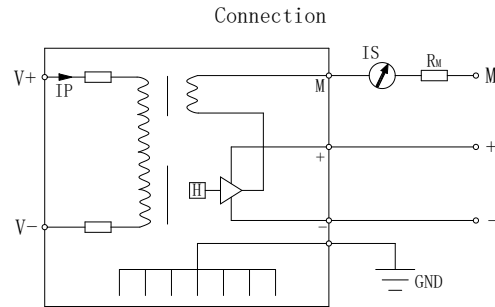
2.Dimensions



3.Technical Parameters

Rated input voltage	1000	2000	3000	4000	V
Measure the voltage range	2000	4000	6000	6400	V
Total input power	10	10	10	10	W
Rated input current	10	5	3.33	2.5	mA
Turns than	10000: 2000	20000: 2000	30000: 2000	40000: 2000	
Rated output current	50±0.5%FS				mA
Supply voltage	±15~±24(±10%)				V
Output load	Power supply±15V		Power supply±24V		
	0~230		0~390		Ω
Offset current	±0.1				mA
Temperature drift	≤200				ppm/°C
Linearity	≤0.1				%FS
Response time	≤200				uS
Insulation voltage	.Withstands pressure between primary and (secondary pole + heat sink)12kV,Leakage current setting 2mA 1min				
Operating temperature	-40~+85				°C
Storage temperature	-40~+85				°C
Weight	850				g

4.Wiring method



- V+ —— signal input +
- V- —— signal input-
- M —— The signal output is positive
- + —— Auxiliary power +15V
- —— Auxiliary power-15V

Concentrate:The signal output "-" is connected to the power center ground G, but the specific wiring is subject to the terminal number on the physical housing.

5.Precautions

- 1、 When the Hall voltage sensor is in use, the best measurement accuracy is obtained at the rated input voltage value;
- 2、 The auxiliary power supply of the Hall voltage sensor during normal operation should not exceed the $\pm 20\%$ of the calibration value;
- 3、 Hall voltage sensors are strictly prohibited from falling from a height during installation and use($\geq 1\text{m}$);
- 4、 The auxiliary power supply needs to be configured by itself;
- 5、 The positive and negative poles of the power supply cannot be reversed.

6.Order Example

Example1 AHVS-LV Hall voltage sensor

Auxiliary power: DC $\pm 15\text{V}$

Input: 4000V

Output: 50mA

Precision: 0.5 level

Manufacturing base:Jiangsu Acrel Electrical Manufacturing Co.,LTD

Telephone: 0510-86179960

Fax: 0510-86179960

Address: NO.5 Dongmeng Road,Nanzha Street,Jiangyin, City

Email:acrel010@vip.163.com