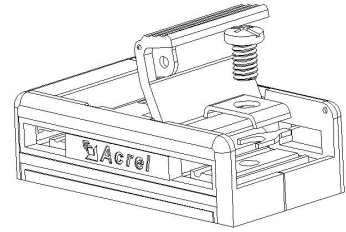


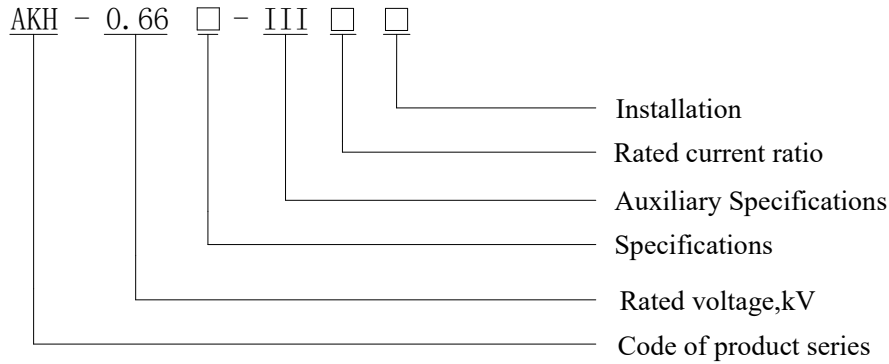
# AKH-0.66 III Current transformer

## 1. Product feature

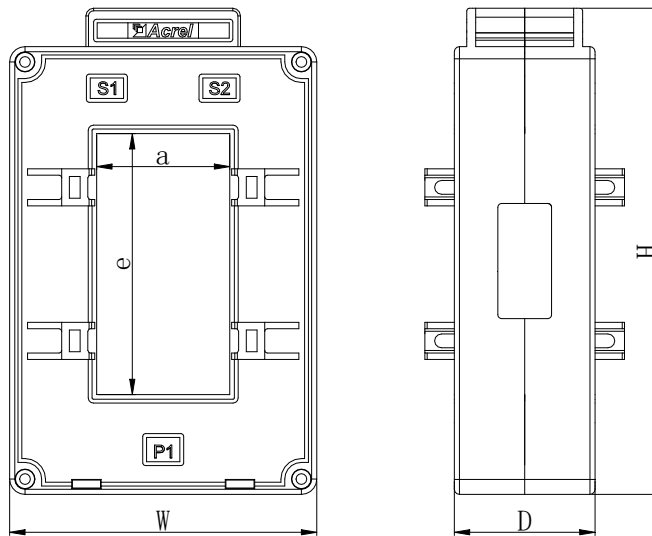
Vertical square hole type, they can pass through 1-3 bar bus. Not only they possess features of type I, II, but also can be used for electric metering of power supply, and matched with current relay to do protection.



## 2. Explanation for type



## 3. Spec. and size



Type \ Size (mm)	Outline size			Through size			Mounting size		Tolerance
	W	H	D	Φ	a	e	M	N	
60III	117	147	55	/	52	62	/	/	±1
80III	117	167	55	/	52	82	/	/	
100III	120	190	55	/	52	102	/	/	
130III	125	224	55	/	52	132	/	/	

#### 4. Cross-reference tables of spec. –parameter



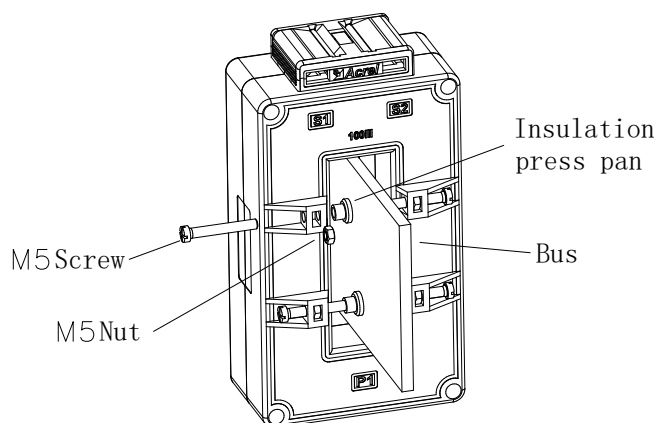
Specification	Rated current ratio (A)	Precision degree and corresponding rated load (VA/Ω)		Straight-thro ugh tums	Bus spec(mm)/ number	Installati on
		0.2	0.5			
60111	200-300/5 (1)		2.5	1	60×10/ 1-3	E
	400/5 (1)		5	1		
	500-800/5 (1)		10	1		
	1000/5 (1)	10		1		
	1200-1500/5 (1)	15		1		
	2000/5 (1)	20		1		
	2500/5 (1)	30		1		
80111	300-400/5 (1)		5	1	80×10/ 1-3	
	500-800/5 (1)		10	1		
	1000/5 (1)	10		1		
	1200-1500/5 (1)	15		1		
	2000/5 (1)	20		1		
	2500-3000/5 (1)	30		1		
100111	600-800/5 (1)		10	1	100×10/ 1-3	
	1000/5 (1)	10		1		
	1200-1500/5 (1)	15		1		
	2000/5 (1)	20		1		
	2500-5000/5 (1)	30		1		
130111	2000/5 (1)	20		1	130×10/1-3	
	2500-5000/5 (1)	30		1	125×10/1-3	

#### 5. Technical indicators

- Rated operation voltage AC 0.66kV(Equivalent AC 0.63kV,GB156-2003)
- Rated frequency 50-60Hz
- Ambient air temperature -30°C-70°C
- Height above sea level ≤3000m
- Power frequency withstand voltage 3000v/1min 50Hz
- Used in place without direct rain and snow,without severe pollution and acute shock

## 6. Installation

E:



E.Fixed by generatrix

## 7. Design and test standards

No.	Name	Testing condition	Measuring instrument	Product Verification Cycle	Product testing standards
1	Surface, Terminal mark	Temperature: 20-25°C Humidity: 50-65%	HLS-50G2 Standard Current Transformer、	2 Years	GB 20840.2-2014 《Current Transformer》 JJG313-2010 Verification Procedure
2	Power frequency Withstand voltage		HES-1 Digital Transformer Verification		
3	Insulation resistance		FY47 Current Transformer Load Cases		
4	Error testing		FY49Current Transformer Load Cases LK2673 Withstand Voltage Tester ZG25-4 Insulation Resistance Shaking Instrument		