

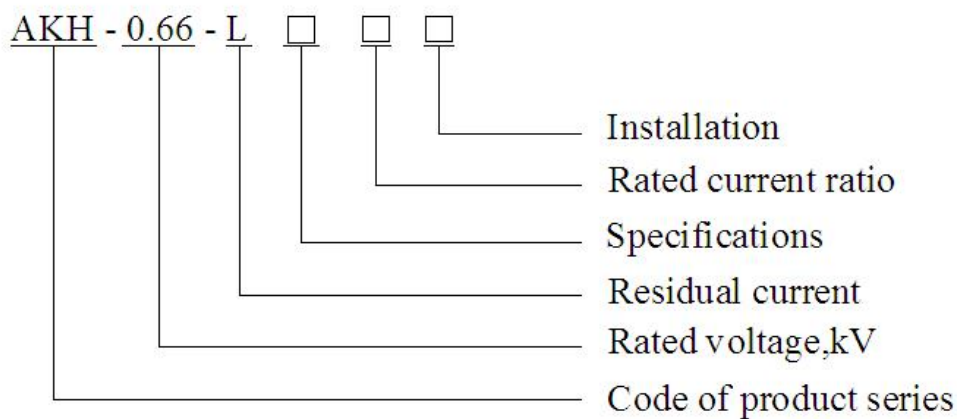
AKH-0.66 L residual current transformer

1. Product feature

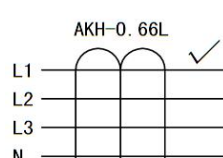
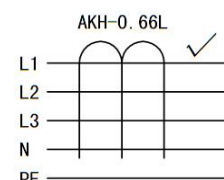
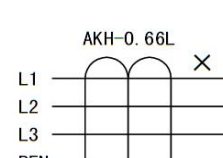
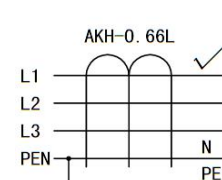
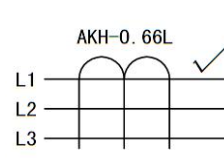
AKH-0.66L residual current transformers are dedicated to acquire low-voltage residual current signals. They can be used with ARCM series electrical fire monitors, ARD series motor protectors and ASJ series residual current relays. The product has the secondary output 0-5 (2) mA or 0-1V. It has the round-hole type and the square-hole type for your selection.



2. Explanation for type

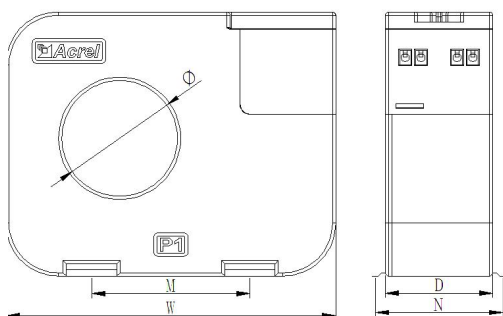


3. Primary wiring

System	TT System	TN-S System	TN-C System	TN-C-S System	IT System
System wiring					

Note: "√" for the correct wiring

4.1 Spec. and size



Specification	Outline size(mm)			Through size(mm)	Mounting size(mm)	
	W	H	D	Φ	M	N
L-35	110	80	32.5	35	48	51
L-70	130	110	32.5	70	66	51
L-105	169	144	32.5	105	92	51

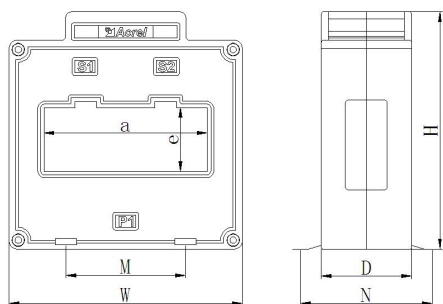
4.2 Cross-reference tables of spec. -parameter



Figure 1

Specification	Primary current(A)	Second output	Precision degree	Rated load(Ω)	Overload factor	Note
L-35	5	5mA	0.5	10	8	Figure 1
		2mA			10	
L-70		5mA			8	
		2mA			10	
L-105		5mA			8	
		2mA			10	

5.1 Spec. and size



Specification	Outline size(mm)			Through size(mm)		Mounting size(mm)	
	W	H	D	a	e	M	N
L-80×50II	120	141	45	82	52	60	70.5
L-100×50II	145	155	50	103	55	80	70.5
L-130×50II	176	160	50	135	55	85	70.5
L-150×130II	199	245	50	150	133	71	70.5
L-180II	228	115	48	181	35	102	70.5
L-200×50II	247	172	55	205	60	102	83
L-260×100II	308	225	63	265	104	181	83

Jiangsu Acrel Electrical Manufacturing Co., LTD.

Address: No.5 Dongmeng Road, Dongmeng industrial Park, Nanzha Street, Jiangyin City, Jiangsu Province, China

TEL./Fax: 0086-510-86179960

Postcode: 214405

Web-site: www.jsacrel.com

E-mail: acrelct@email.acrel.cn

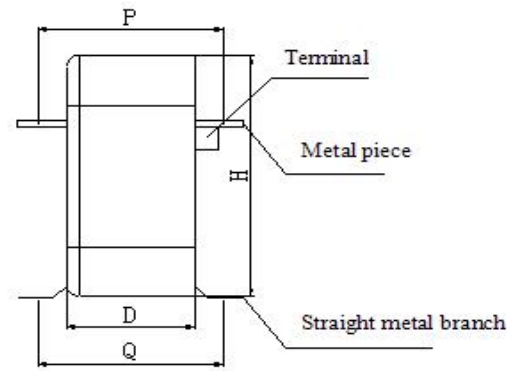
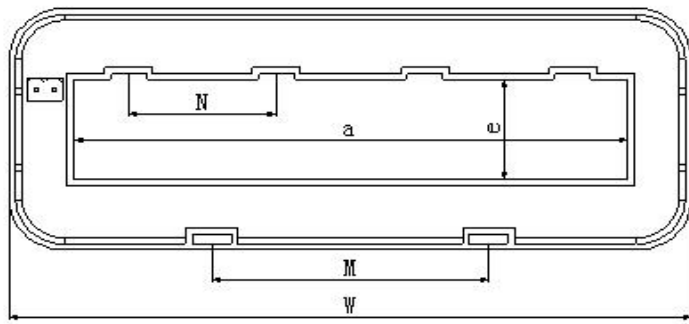
5.2 Cross-reference tables of spec. -parameter



Figure 2

Specification	Reference rated current(A)	Primary current(A)	Second output	Precision degree	Rated load(Ω)	Overload factor	Note
L-130×50II	100-200A	5	5mA	1	100	8	Figure 2
L-200×50II	250-400A						
L-80×50II	16-100A						
L-100×50II	16-100A						
L-260×100II	450-800A						
L-150×130II	100-300A						
L-180II	100-200A						

6.1 Spec. and size



Size Specification	Outline size(mm)			Through size(mm)		Mounting size(mm)				Tolerance
	W	H	D	a	e	M	N	P	Q	
L-170×30	215	84	40	172	34	86	46×3	83	57.5	±1
L-210×160	262	221	45	210	160	70×2	31.5×5	83	57.5	
L-260×160	312	220	45	260	160	70×3	41.5×5	83	57.5	
L-300×50	352	110	45	300	50	70×4	49×5	83	57.5	
L-350×50	402	110	45	350	50	70×4	69×3	83	57.5	
L-400×50	452	110	45	400	50	70×5	69×5	83	57.5	
L-400×160	450	213	50	400	160	/	69×5	83	/	
L-500×50	548	102	50	497	50	/	88×5	83	/	
L-500×160	553	217	50	500	160	/	80×5	83	/	
L-650×50	705	103	50	655	50	/	69×6	83	/	
L-800×50	852	104	50	800	50	/	88×8	83	/	
L-780×160	830	212	50	780	160	/	69×10	83	/	

Jiangsu Acrel Electrical Manufacturing Co., LTD.

Address: No.5 Dongmeng Road, Dongmeng industrial Park, Nanzha Street, Jiangyin City, Jiangsu Province, China

TEL./Fax: 0086-510-86179960

Web-site: www.jsacrel.com

Postcode: 214405

E-mail: acrelct@email.acrel.cn

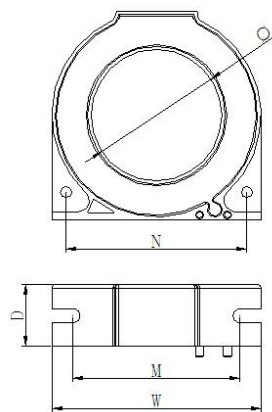
6.2 Cross-reference tables of spec. -parameter



Figure 3

Specification	Reference rated current(A)	Primary current(A)	Second output	Precision degree	Rated load(Ω)	Overload factor
L-170×30	100-200A	5	5mA	1	100	10
L-210×160	450-800A					
L-260×160	450-800A	5	2mA	1	100	
L-300×50	500-1000A					
L-350×50	500-1000A					
L-400×50	1000-1250A					
L-400×160	1000-1250A					
L-500×50	1500-2000A					
L-500×160	1500-2000A					
L-650×50	2000-3000A					
L-800×50	3000-5000A					
L-780×160	3000-5000A					

7.1 Spec. and size



Specification	Outline size(mm)			Through size(mm)	Mounting size(mm)			Tolerance (mm)	Weight (g)
	W	H	D	Φ	M	N	$\Phi 2$		
L-45	75	75	22	46	65	65	4	±1	200±10
L-80	120	120	23	81	105	105	4		380±20
L-100	140	140	23	100	124	124	4		460±30
L-150	196	205	24	150	175	180	6		850±50
L-200	240	247	28	200	214	212	6		1200±50

Note: The outgoing wire is a double-core shielded wire with standard length of $2\text{cm} \pm 10\text{cm}$.

Customers can customize it according to their needs.

Jiangsu Acrel Electrical Manufacturing Co., LTD.

Address: No.5 Dongmeng Road, Dongmeng industrial Park, Nanzha Street, Jiangyin City, Jiangsu Province, China

TEL./Fax: 0086-510-86179960

Postcode: 214405

Web-site: www.jsacrel.com

E-mail: acrelct@email.acrel.cn

7.2 Cross-reference tables of spec. -parameter



Figure 4

Specification	Reference rated current(A)	Primary current(A)	Second output	Precision degree	Rated load (Ω)	Overload factor	Note
L-45	16-100A	5	5mA	1	100	10	Figure 4
L-80	100-250A						
L-100	250-400A						
L-150	400-800A						
L-200	800-1500A						

Jiangsu Acrel Electrical Manufacturing Co., LTD.

Address: No.5 Dongmeng Road, Dongmeng industrial Park, Nanzha Street, Jiangyin City, Jiangsu Province, China

TEL./Fax: 0086-510-86179960

Web-site: www.jsacrel.com

Postcode: 214405

E-mail: acrelct@email.acrel.cn