

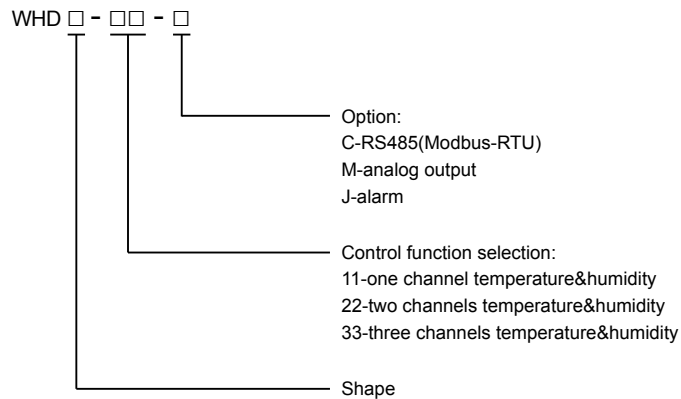
WHD Series Smart Temperature and Humidity Controller



General

WHD series smart temperature and humidity controller is suitable for adjustment and control of temperature and humidity in equipments of high voltage switchgear, terminal box, ring network panel, box transformer substation etc. It can effectively protect relevant equipment from faults resulting from excessive low or high temperature, creepage or flashover etc. from humidity or condensation.

Model Description

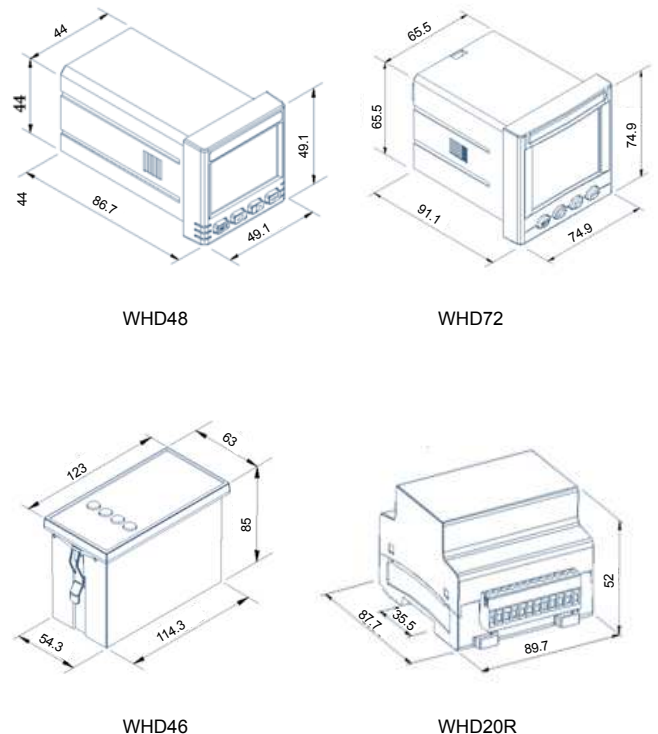


| Shape | Panel Size(mm) | Cut-out(mm) |
|-------|----------------|-------------|
| 48 | 48*48 | 45*45 |
| 72 | 75*75 | 67*67 |
| 46 | 120*60 | 116*56 |
| 20R | DIN 35mm | |

Technical Parameter

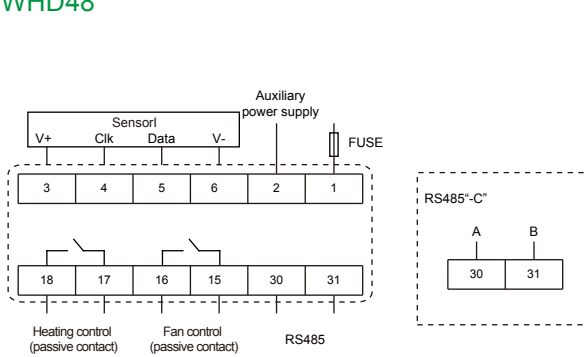
| Technical Parameter | | Value |
|------------------------------------|------------------------------------|--|
| Measuring range | Temperature | -40.0 C ~ 99.9 C |
| | Humidity | 20%RH ~ 90%RH |
| Accuracy | Temperature | ±1 C |
| | Humidity | ±5%RH |
| Analog output | | DC 4 ~ 20mA |
| Set range of controlling parameter | Heating for Temperature rising | -40.0 C ~ 40.0 C |
| | Blowing for temperature decreasing | 0 C ~ 99.9 C |
| | Humidity control | 20%RH ~ 90%RH |
| Contact capacity | | 5A/AC250V |
| Communication | | RS485(MODBUS-RTU) |
| Auxiliary power supply | Working range | AC 85 ~ 265V DC 100 ~ 350V |
| | Consumption | Basic power consumption(≤0.8w)+ relay power consumption(each channel≤0.7w) |
| Insulation resistance | | ≥100MQ |
| Environment | Temperature | -20 C ~ +60 C |
| | Humidity | ≤95%RH(No condensation) |
| | Altitude | ≤2500 m |

Dimension

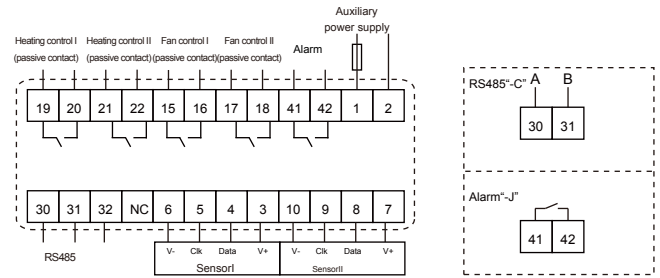


Wiring

◆ WHD48

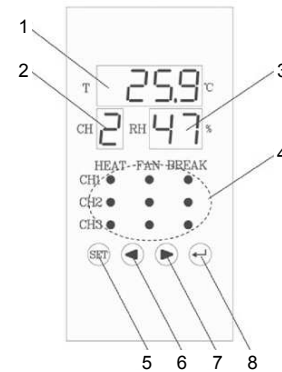
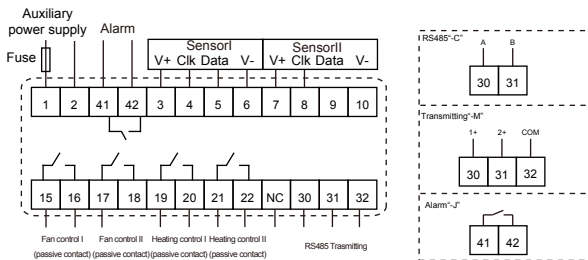


◆ WHD20R

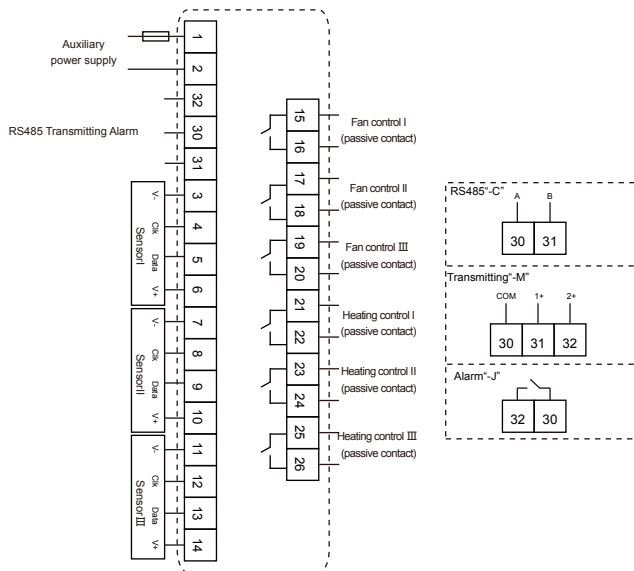


Operating and Display

◆ WHD72



◆ WHD46



| No. | Name | Status | Explanation |
|-----|------------------|----------------------|--|
| 1 | Temperature area | XX.X C | Display current-measured temperature value, range:-40.0 C ~ 99.9 C Display menu and data for keystroke programming |
| 2 | Channels | X | Display current-measured channels, rang: 1 ~ 3 |
| 3 | Humidity area | XX% | Display current-measured humidity value, range: 20% ~ 90% |
| 4 | Working status | Indicator lightening | Working state of 1,2,3,channels,heating (HEAT),Blowing (FAN),fault of heating (BREAK) |
| 5 | SET | Pressing | Selecting operational function,set up programming |
| | | Pressing | Look over data or change data |
| 6 | Left | Pressing | Look over data or change data |
| | | Keep pressing | Keep pressing the key about 3 seconds, all channels are in heating |
| 7 | Right | Pressing | Look over data or change data |
| | | Keep pressing | Keep pressing the key about 3 seconds, all channels are in blowing |
| 8 | ENTER | Pressing | Confirm function or go to next menu |